

315.3.405

Universal commutator motor performance

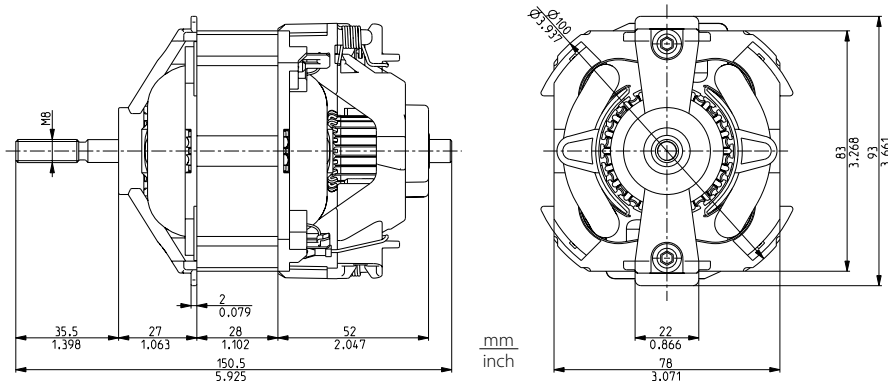
DOMEL®

Universal commutator motors 315.3.405/930W/230V / 50Hz are intended for installations in hand tools, household appliances and other devices. Motors can be adapted to various propulsion functions. Technical data and dimensions are given in the table. The rotor is supported with one ball and one sleeve bearing. The motor is constructed according to EN 60335-1.

Technical data:

Code:	315.3.405
Voltage/frequency:	230 V/50 Hz
Rated input power:	930 W
Rated speed:	9800 min ⁻¹
Rated output power:	610 W
Rated torque:	60 Ncm / 85 oz-in
Direction of rotation:	CCW
Type of operation:	S1
	by EN 60034-1
Ventilation:	external
Mass:	1,42 kg

Also available in 100V and 120V version



Dimensional and performance data are subject to change without notice.

Voltage	Current	Input Power	Speed	Torque		Output power	Efficiency
				Ncm	oz-in		
V	A	W	min ⁻¹			W	%
230	0,71	162	30650	0,0	0,0	0	0,0
230	1,46	318	18569	10,0	14,2	194	61,1
230	2,10	453	15528	20,0	28,3	326	72,1
230	2,76	585	13471	30,0	42,5	424	72,5
230	3,36	706	12109	40,0	56,6	507	71,9
230	3,99	829	10920	50,0	70,8	572	69,0
230	4,53	929	9818	60,0	85,0	618	66,5
230	5,15	1047	8808	70,0	99,1	648	61,9
230	5,66	1145	8022	80,0	113,3	673	58,7
230	6,25	1254	6996	90,0	127,5	661	52,7
230	6,69	1338	6172	100,0	141,6	646	48,3

Data above represent the performance of an average motor sample. Individual data may vary due to normal manufacturing variations.