

# 315.3.503

## Universal commutator motor performance

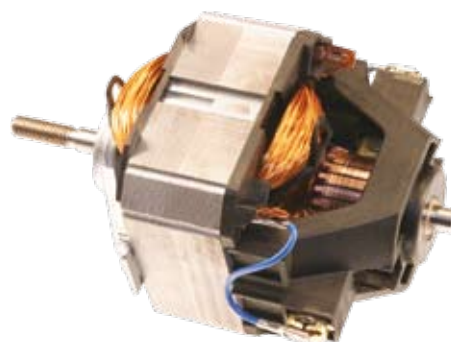
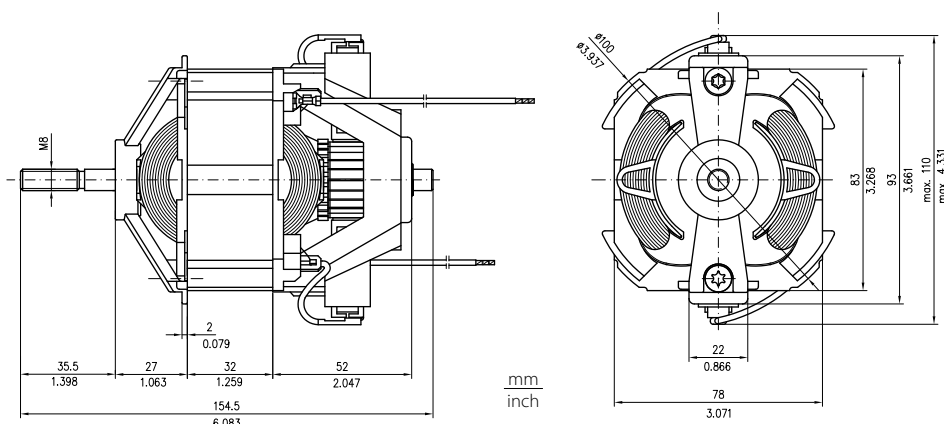
# DOMEL®

### Technical data:

Universal commutator motors 315.3.503/ 1200W/ 230V/ 50Hz are intended for installations in hand tools, household appliances and other devices. Motors can be adapted to various propulsion functions. Technical data and dimensions are given in the table. The rotor is supported with one ball and one sleeve bearing. The motors is constructed according to EN 60335-1.

Code:	315.3.503
Voltage/frequency:	230 V/50 Hz
Rated input power:	1200 W
Rated speed:	11000 min <sup>-1</sup>
Rated output power:	830 W
Rated torque:	73 Ncm / 103 oz-in
Direction of rotation:	CCW
Type of operation:	S1
	by EN 60034-1
Ventilation:	external
Mass:	1,55 kg

Also available in 100V and 120V version



Dimensional and performance data are subject to change without notice.

Voltage	Current	Input Power	Speed	Torque		Output power	Efficiency
				Ncm	oz-in		
V	A	W	min <sup>-1</sup>			W	%
230	0,89	194	37750	0,0	0,0	0	0,0
230	1,69	378	21847	10,0	14,2	228	60,4
230	2,42	536	17953	20,0	28,3	380	70,9
230	3,08	673	15870	30,0	42,5	500	74,4
230	3,74	811	14472	40,0	56,6	606	74,7
230	4,41	952	13300	50,0	70,8	699	73,5
230	5,01	1065	12321	60,0	85,0	776	72,9
230	5,60	1182	11448	70,0	99,1	840	71,1
230	5,76	1215	11136	73,0	103,4	852	70,1
230	6,19	1305	10541	80,0	113,3	886	67,9
230	6,73	1413	9860	90,0	127,5	932	66,0
230	7,27	1522	9147	100,0	141,6	959	63,0

Data above represent the performance of an average motor sample. Individual data may vary due to normal manufacturing variations.