

# 315.3.826

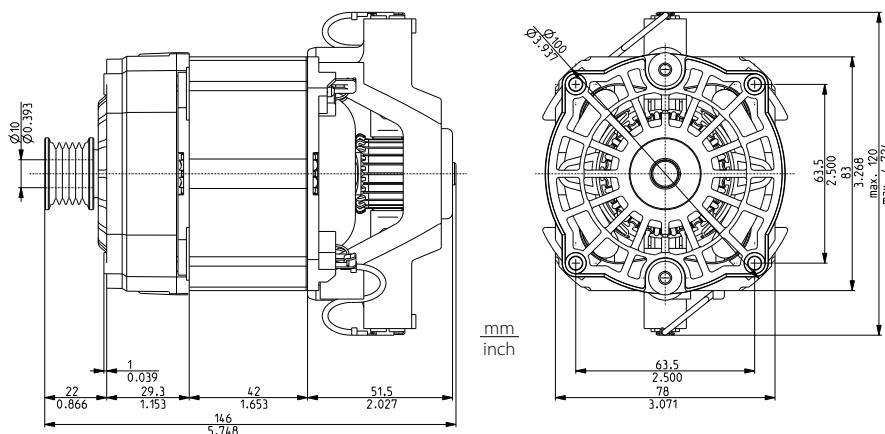
Universal commutator motor performance

# DOMEL®

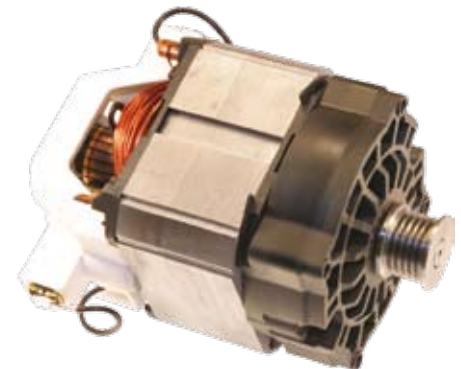
## Technical data:

Universal commutator motors 315.3.826/ 1500W/ 230V/50Hz are intended for installations in hand tools, household appliances and other devices. Motors can be adapted to various propulsion functions. Technical data and dimensions are given in the table. The rotor is supported with two ball bearings. The motor is constructed according to EN 60335-1.

Code:	315.3.826
Voltage/frequency:	230 V/50 Hz
Rated input power:	1500 W
Rated speed:	17000 min <sup>-1</sup>
Rated output power:	1150 W
Rated torque:	66 Ncm / 94 oz-in
Direction of rotation:	CCW
Type of operation:	S1
	by EN 60034-1
Ventilation:	external
Mass:	2,0 kg



Also available in 100V and 120V version



Dimensional and performance data are subject to change without notice.

Voltage	Current	Input Power	Speed	Torque		Output power	Efficiency
				Ncm	oz-in		
V	A	W	min <sup>-1</sup>			W	%
230	1,18	268	39000	0,0	0,0	0	0,0
230	2,30	523	27579	10,0	14,1	288	55,1
230	3,15	708	23590	20,3	28,8	502	70,9
230	3,92	871	21318	30,0	42,5	670	77,0
230	4,73	1041	19675	40,0	56,7	825	79,2
230	5,53	1207	18420	50,4	71,3	972	80,5
230	6,34	1379	17613	60,1	85,1	1108	80,4
230	6,81	1475	17137	66,3	93,9	1190	80,7
230	7,09	1533	16742	70,1	99,3	1229	80,2
230	7,89	1698	15826	80,4	113,9	1333	78,5
230	8,61	1847	15174	90,2	127,7	1432	77,6
230	9,32	1993	14512	100,2	141,8	1522	76,4
230	9,98	2132	13670	110,5	156,5	1582	74,2
230	10,65	2269	13102	120,2	170,2	1649	72,7
230	11,29	2403	12460	130,2	184,4	1699	70,7
230	11,95	2543	11812	140,6	199,1	1739	68,4

Data above represent the performance of an average motor sample. Individual data may vary due to normal manufacturing variations.