

# 315.3.903

## Universal commutator motor performance

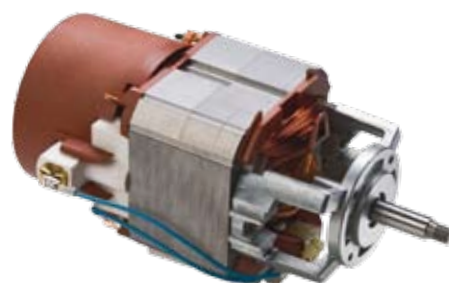
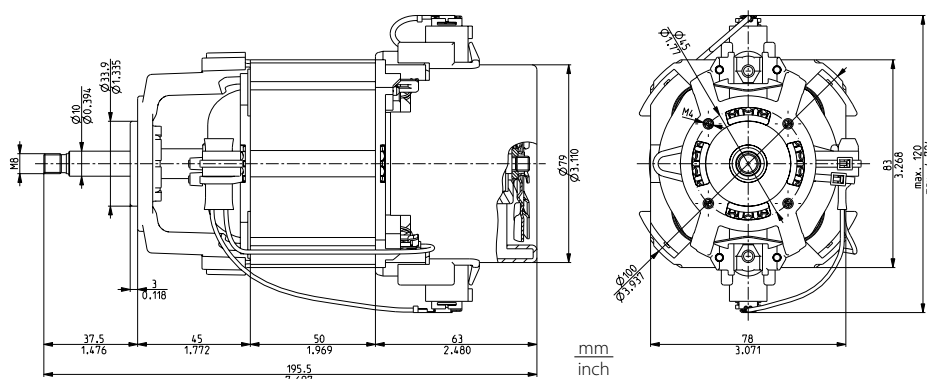
# DOMEL®

### Technical data:

Universal commutator motors 315.3.903/ 1750W/ 220V/50Hz are intended for installations in hand tools, household appliances and other devices. Motors can be adapted to various propulsion functions. Technical data and dimensions are given in the table. The rotor is supported with two ball bearings. The motor is constructed according to EN 60335-1.

|                        |                         |
|------------------------|-------------------------|
| Code:                  | 315.3.903               |
| Voltage/frequency:     | 220 V/50 Hz             |
| Rated input power:     | 1750 W                  |
| Rated speed:           | 14000 min <sup>-1</sup> |
| Rated output power:    | 1260 W                  |
| Rated torque:          | 86 Ncm / 121,8 oz-in    |
| Direction of rotation: | CCW                     |
| Type of operation:     | S1                      |
|                        | by EN 60034-1           |
| Ventilation:           | internal                |
| Mass:                  | 2,45 kg                 |

Also available in 100V and 120V version



Dimensional and performance data are subject to change without notice.

| Voltage | Current | Input Power | Speed             | Torque |       | Output power | Efficiency |
|---------|---------|-------------|-------------------|--------|-------|--------------|------------|
|         |         |             |                   | Ncm    | oz-in |              |            |
| V       | A       | W           | min <sup>-1</sup> |        |       | W            | %          |
| 220     | 2,04    | 432         | 28700             | 0,0    | 0,0   | 0            | 0,0        |
| 220     | 2,60    | 558         | 23467             | 10     | 14,2  | 246          | 44,0       |
| 220     | 3,46    | 729         | 20077             | 20     | 28,3  | 420          | 57,7       |
| 220     | 4,30    | 892         | 18009             | 30     | 42,5  | 566          | 63,4       |
| 220     | 5,18    | 1067        | 17277             | 40     | 56,7  | 724          | 67,9       |
| 220     | 5,95    | 1214        | 16432             | 50     | 70,8  | 860          | 70,8       |
| 220     | 6,56    | 1324        | 15682             | 60     | 84,9  | 984          | 74,3       |
| 220     | 7,50    | 1511        | 14941             | 70     | 99,1  | 1095         | 72,5       |
| 220     | 8,29    | 1662        | 14437             | 80     | 113,3 | 1209         | 72,8       |
| 220     | 9,04    | 1807        | 13870             | 90     | 127,5 | 1308         | 72,3       |
| 220     | 9,75    | 1937        | 13164             | 100    | 141,6 | 1379         | 71,2       |
| 220     | 10,50   | 2084        | 12702             | 110    | 155,8 | 1463         | 70,2       |
| 220     | 11,19   | 2214        | 12210             | 120    | 169,8 | 1533         | 69,2       |

Data above represent the performance of an average motor sample. Individual data may vary due to normal manufacturing variations.