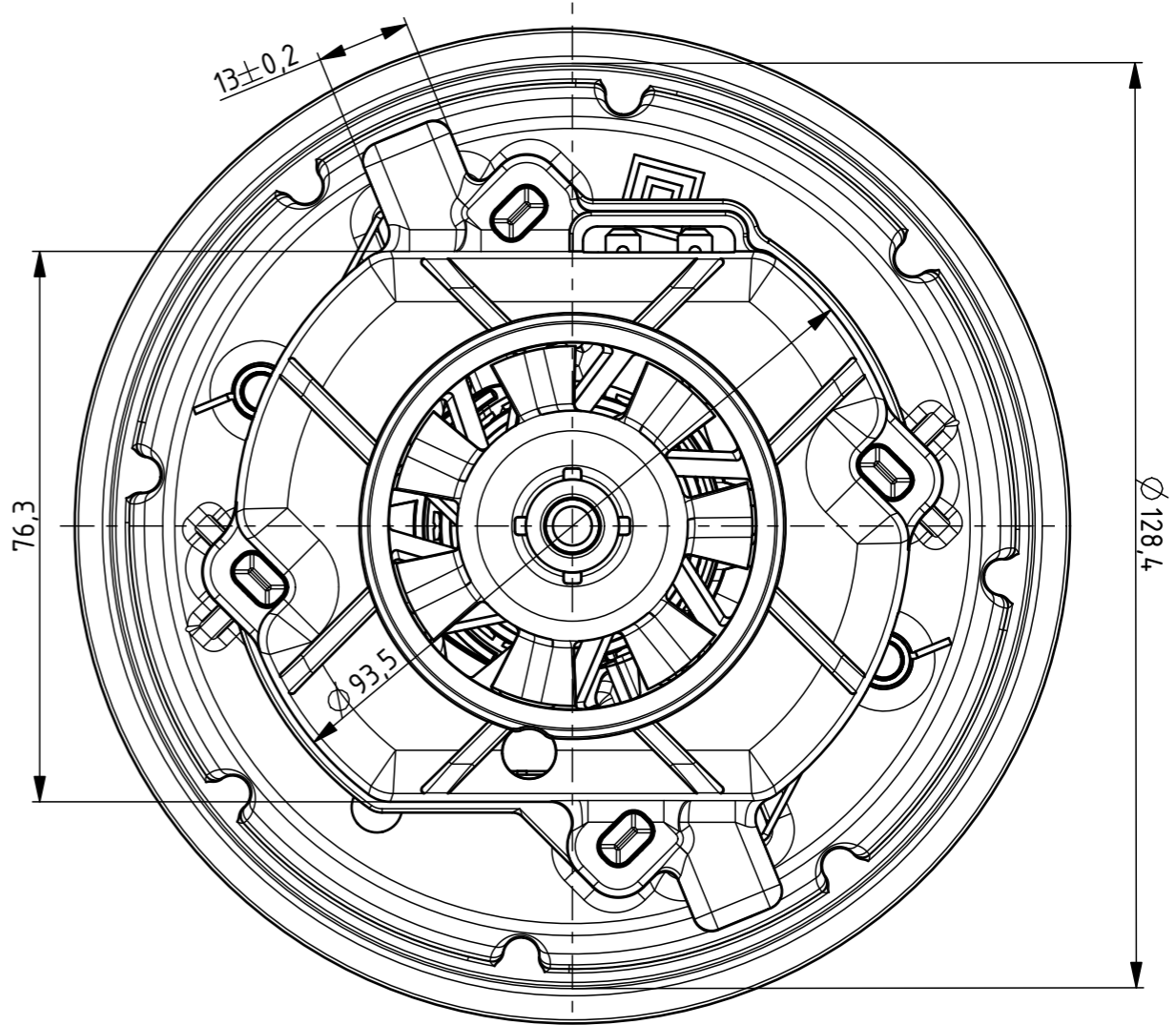
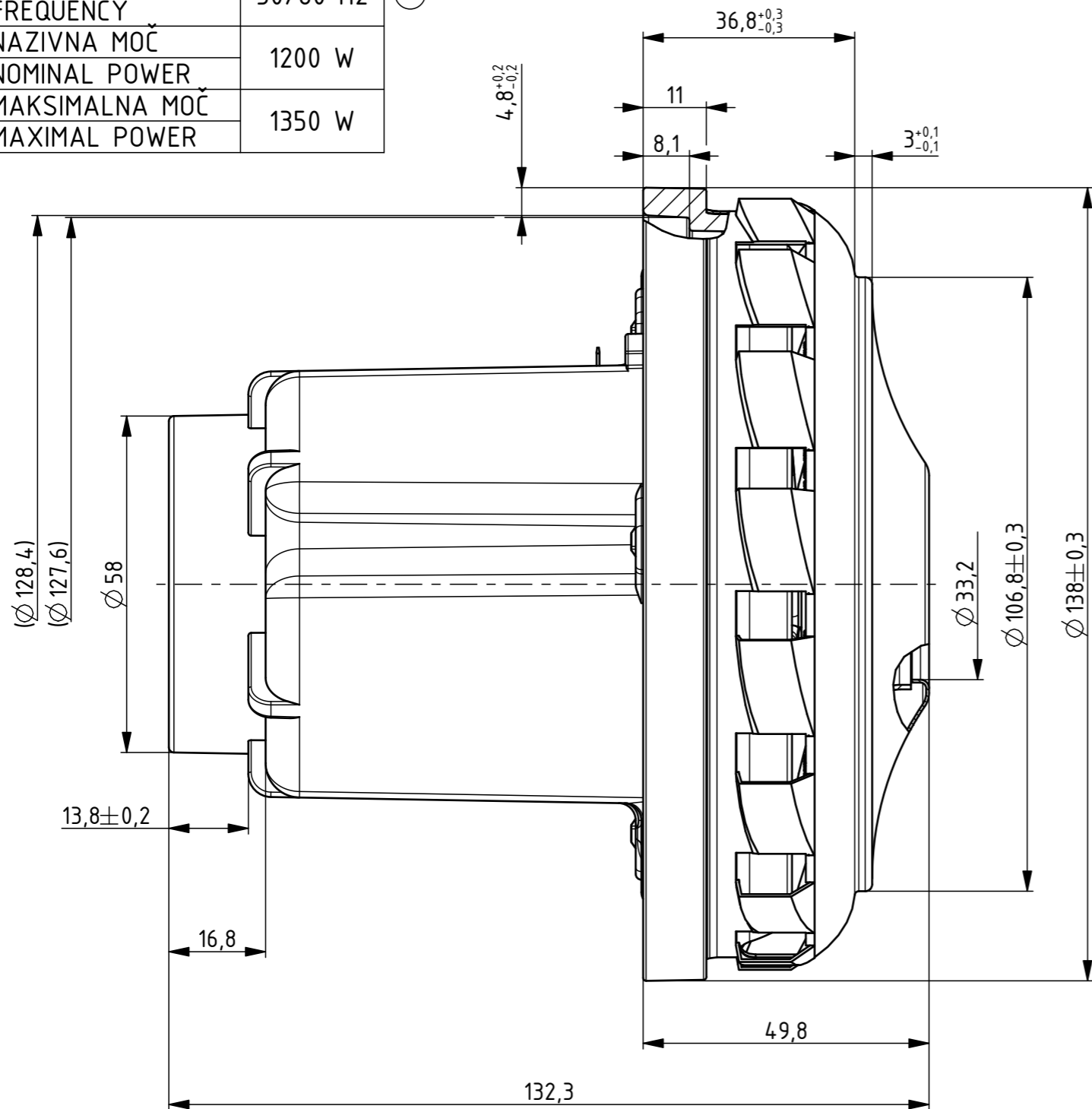


Izdelano s CAD/ProEngineer - ročno spreminjanje ni dovoljeno! Vsak prenos tretjim osebam ali uporaba v nedogovorjene namene ni dovoljena po zakonu o avtorskih pravicah. Made with CAD/ProEngineer - changing is not allowed! Any unauthorized copying of this drawing or unauthorized distribution of the information contained herein is prohibited.


NAPETOST	230 V
VOLTAGE	230 V
FREKVENCA	50/60 Hz
FREQUENCY	50/60 Hz
NAZIVNA MOČ	1200 W
NOMINAL POWER	1200 W
MAKSIMALNA MOČ	1350 W
MAXIMAL POWER	1350 W


DVOJNA IZOLACIJA
DOUBLE INSULATED

Ⓛ1




Oznake natisnjene na SE:
Information stamped on VCM:

DOMEL d.o.o. 467.3.601-4
6.490-245.0
230 V 50/60 Hz 
I.C.I.H
YYWWD S NNNN
MADE IN SLOVENIA

家用真空吸尘器用单相串励电动机-风机
230V 5,5A 50/60Hz 467.3.601-4
1200W(输入) 540W(输出) 37000r/min
产地: 斯洛文尼亚 Class(等级)180(H) 

OSNOVNE ZNAČILNOSTI		TYPICAL CHARACTERISTICS	
IZVEDBA	ENOSTOPENJSKA	FAN SYSTEM	SINGLE STAGE
VLEŽAJENJE	DVA KROGLIČNA LEŽAJA	BEARINGS	DUAL BALL
VRSTA PRETOKA	MIMO MOTORJA	DISCHARGE	BY PASS
SMER VR TENJA	DESNA	DIRECTION OF ROTATION	CW

Tolerance odprtih mer Tolerances without individual indications ISO 8015 ISO 2768 - mK				Površinska hrapavost Surface finishing		Merilo Scale 1:2				Original format ISO 5457 - A3	
Datum/Date				Ime/Name		Naziv Title SESALNA ENOTA VACUUM CLEANER MOTOR					
Izdelal Designed 04.09.09				Novinc M.		Koda Code 467.3.601-4					
Pregl. Verified 05.04.16				Rihtaršič J.							
Ozn. Mark				Št. obvestila Nr. of notice		Datum Date		Ime Name		Stran Page 1	
D1 12348 05.04.16 D. Vrhunc				C1 11635 15.12.14 D. Vrhunc		B5 10250 06.04.12 Novinc M.		A0 9283 25.01.10 Novinc M.		4673601004_SESALNA_ENOTA	

DOMEL
Otoki 21, 4228 Železniki, Slovenija