

# 482.3.503

## DC motor performance

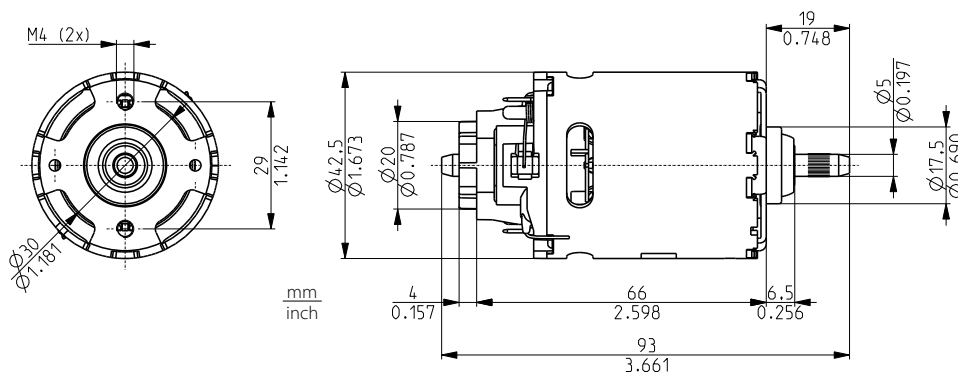
# DOMEL®

DC motors 482.3.503/ 165W/ 230V/ 0-50Hz are designed for incorporation into various household appliances such as coffee mills, mixers, food processors, etc. where small dimensions, low weight and high power are requested. Technical data and dimensions are given in the table. Our DC motors can operate in different positions. Shaft can also be adapted to customers needs. The motors is constructed according to EN 60335-1.

### Technical data:

Code:	482.3.503
Voltage/frequency:	230 V/50 Hz + Graetz
Rated input power:	165 W
Rated speed:	13500 min <sup>-1</sup>
Rated output power:	96 W
Rated torque:	6,8 Ncm / 9,6 oz-in
Direction of rotation:	CW
Type of operation:	7 s "ON" 23 s "OFF"
	140 periods
Ventilation:	internal
Mass:	0,26 kg

Also available in 100V and 120V version



Dimensional and performance data are subject to change without notice.

Voltage	Current	Input Power	Speed	Torque		Output power	Efficiency
				Ncm	oz-in		
V	A	W	min <sup>-1</sup>			W	%
230	0,19	32	19120	0,0	0,0	0	0,0
230	0,49	93	16522	3,0	4,3	52	56,3
230	0,77	155	14529	6,1	8,6	92	59,5
230	0,82	167	13944	6,8	9,6	99	59,5
230	1,02	213	12497	9,2	13,0	120	56,4
230	1,25	267	10551	12,0	17,0	133	49,7
230	1,46	321	8177	15,1	21,4	129	40,3
230	1,66	372	5862	18,1	25,7	111	30,0

Data above represent the performance of an average motor sample. Individual data may vary due to normal manufacturing variations.