

482.3.531

DC motor performance

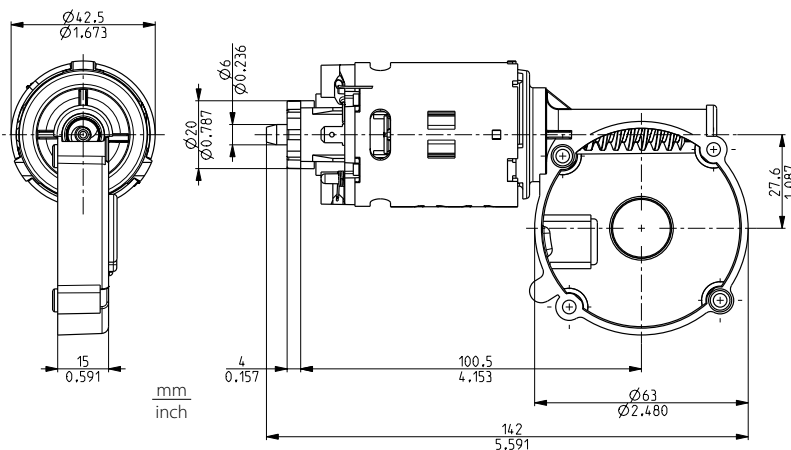
DOMEL®

DC motors 482.3.531/ 180W/ 230V/ 0-50Hz are designed for incorporation into various household appliances such as coffee mills, mixers, food processors, etc. where small dimensions, low weight and high power are requested. Technical data and dimensions are given in the table. Our DC motors can operate in different positions. Shaft can also be adapted to customers needs. The motors is constructed according to EN 60335-1.

Technical data:

Code:	482.3.531
Voltage/frequency:	230 V/50 Hz + Greutz
Rated input power:	180 W
Rated speed:	13500 min ⁻¹
Rated output power:	96 W
Rated torque:	6,8 Ncm / 9,6 oz-in
Direction of rotation:	CW
Type of operation:	10 s "ON" 40 s "OFF"
Ventilation:	internal
Mass:	0,38 kg

Also available in 100V and 120V version



Dimensional and performance data are subject to change without notice.

Voltage	Current	Input Power	Speed	Torque		Output power	Efficiency
				Ncm	oz-in		
V	A	W	min ⁻¹			W	%
230	0,27	47	18450	0,0	0,0	0	0,0
230	0,57	111	15915	3,0	4,2	50	44,8
230	0,82	168	13940	6,0	8,5	87	51,9
230	0,88	183	13410	6,8	9,6	95	52,3
230	1,06	225	12021	9,0	12,8	114	50,6
230	1,30	281	10223	12,0	16,9	128	45,5
230	1,52	336	8260	14,9	21,1	129	38,4
230	1,73	387	6063	18,0	25,4	114	29,5

Data above represent the performance of an average motor sample. Individual data may vary due to normal manufacturing variations.