

482.3.903

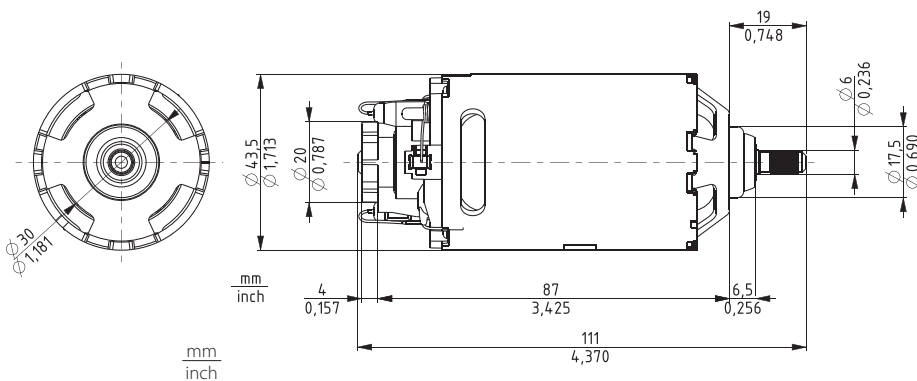
DC motor performance

DOMEL®

DC motors 482.3.903/ 230W/ 230 V/ 0-50 Hz are designed for incorporation into various household appliances such as coffee mills, mixers, food processors, etc. where small dimensions, low weight and high power are requested. Technical data and dimensions are given in the table. Our DC motors can operate in different positions. Shaft can also be adapted to customers needs. The motor is constructed according to EN 60335-1.

Technical data:

Code:	482.3.903
Voltage / Frequency:	230V / 50 Hz
	+Graetz
Rated input power:	230W
Rated speed:	8500 min ⁻¹
Rated output power:	88W
Rated torque:	10 Ncm / 14,2 oz-in
Direction of rotation:	CW
Type of operation:	60 s "ON"
	60 s "OFF"
	5 periods
Ventilation:	without
Masa / Mass:	0,425 kg



Dimensional and performance data are subject to change without notice.

Voltage V / Hz	Current A	Input Power W	Speed min ⁻¹	Torque		Output power W	Efficiency %
				Ncm	oz-in		
230 / 50	0,16	26,81	11475	0,00	0,0	0,00	0,00
230 / 50	0,37	70,63	10015	4,94	7,0	51,83	73,40
230 / 50	0,63	127,34	8466	9,93	14,1	88,00	69,10
230 / 50	1,08	228,78	6408	19,95	28,3	133,86	58,53
230 / 50	1,53	327,78	4761	29,97	42,6	149,43	45,57
230 / 50	1,95	423,42	3375	39,96	56,7	141,24	33,37
230 / 50	2,34	515,36	2201	49,89	70,8	115,00	22,30
230 / 50	2,77	612,64	892	59,81	84,9	55,87	9,13
230 / 50	3,01	667,24	0	65,58	93,1	0,00	0,00

The above data demonstrate the performance of one of the family 484 motors. Other new motors could be developed and custom made depending on the customer's wishes with regard to characteristics, voltage, shaft, shield fixing etc. * Orifice in inch is only approximative.