

Izdelano s CAD/ProEngineer - ročno spreminjanje ni dovoljeno! Vsak prenos tretjim osebam ali uporaba v nedogovorjene namene ni dovoljena po zakonu o avtorskih pravicah. Made with CAD/ProEngineer - changing is not allowed! Any unauthorized copying of this drawing or unauthorized distribution of the information contained herein is prohibited.

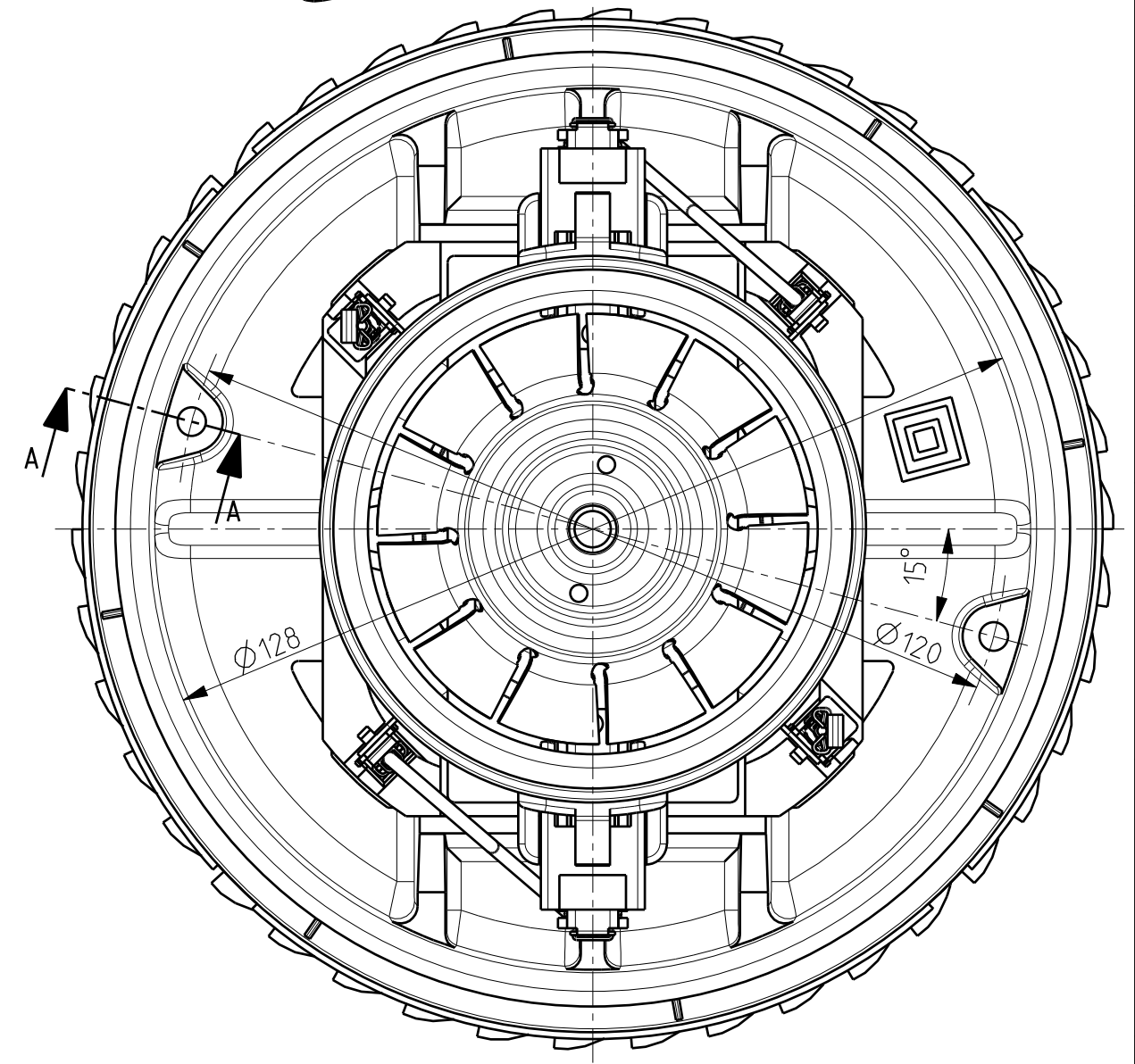
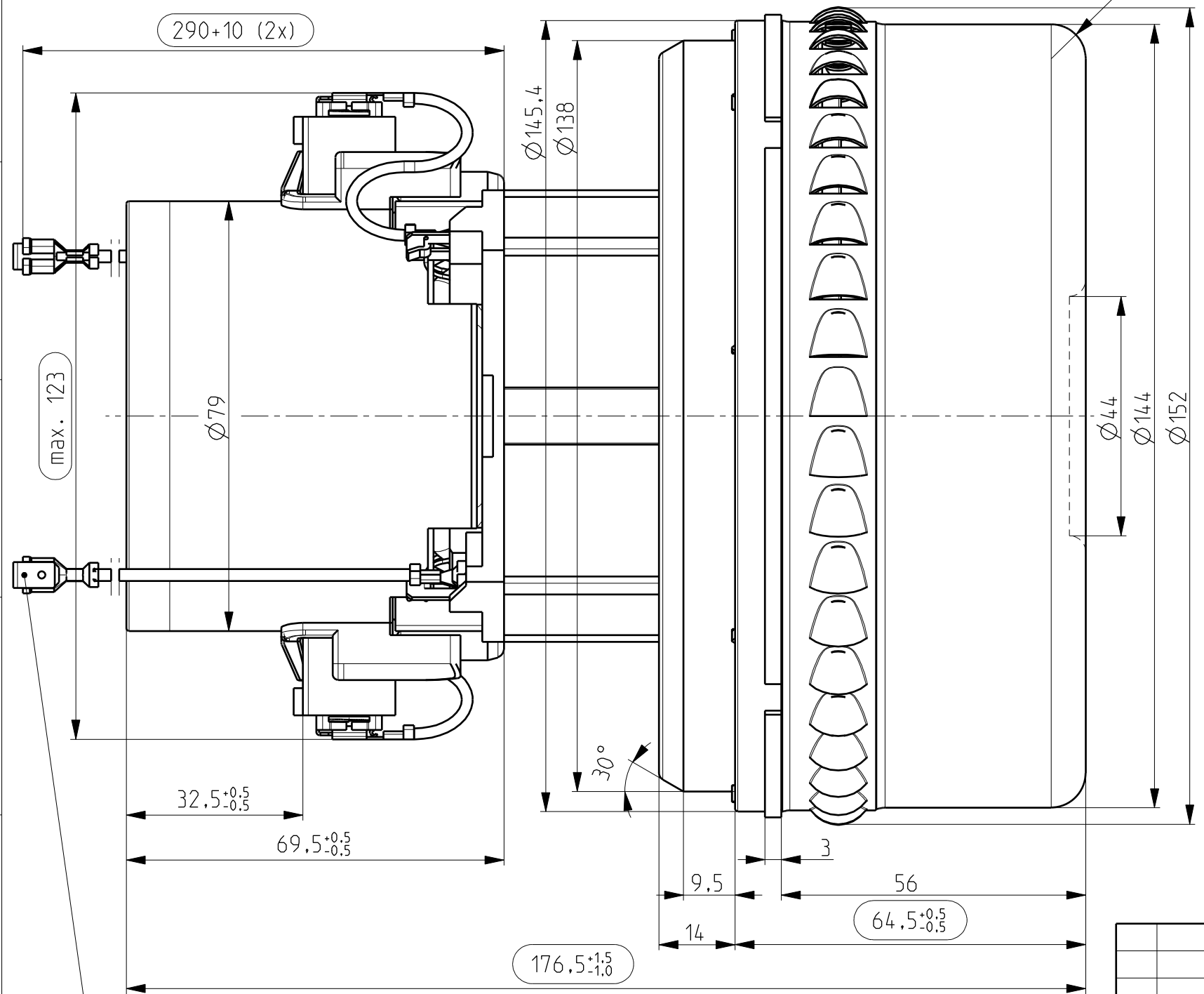
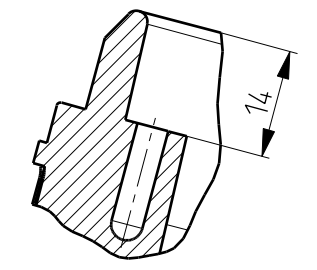
NAPETOST VOLTAGE	230 V
FREKVENCA FREQUENCY	50/60 Hz
NAZIVNA MOČ NOMINAL POWER	1200 W
MAKSIMALNA MOČ MAXIMAL POWER	1300 W

DVOJNA IZOLACIJA
DOUBLE INSULATED

Prerez / Section A-A

Oznake natisnjene na SE
Information stamped on VCM

DOMEL	230 V
492.3.513	50/60 Hz
XXXX I.C.L.F	610221
CE	



All dimensions in mm

Ploščati natič 4.8x0.8 z odvodom
Receptacle 4.8x0.8 with tab

OSNOVNE ZNAČILNOSTI		TYPICAL CHARACTERISTICS	
IZVEDBA	DVOSTOPENJSKA	FAN SYSTEM	TWO STAGE
VLEŽAJENJE	DVA KROGLIČNA LEŽAJA	BEARINGS	DUAL BALL
VRSTA PRETOKA	MIMO MOTORJA	DISCHARGE	BY PASS
SMER VRTENJA	LEVA	DIRECTION OF ROTATION	CCW

				Tolerance odprtih mer Tolerances without individual indications	Površinska hrapavost Surface finishing	Merilo Scale	1:1	Original format ISO 5457 - A3
				ISO 2768 - m		Gradivo / Material		
				Datum/Date	Ime/Name	Naziv Title		
				Izdelal Designed	02.04.2008	J. Luznar	SESALNA ENOTA VACUUM CLEANER MOTOR	
				Pregl. Verified	18.08.2010	J. Rihtarsic	Koda Code	
E2	9534	18.08.2010	A. Solar			492.3.513		List Sheet 3+
D1	9389	15.04.2010	I. Pototnik					Stran Page 1
C1	8874	10.02.2009	J. Luznar					
B1	8841	12.01.2009	J. Luznar					
A0	8795	19.11.2008	J. Luznar					
Ozn. Mark	St. Mark	Obvestila Nr. of notice	Datum Date	Ime Name	DOMEL® Otoki 21, 4228 Železniki, Slovenija		4923513000_SESALNA_ENOTA	