

315.3.823-3

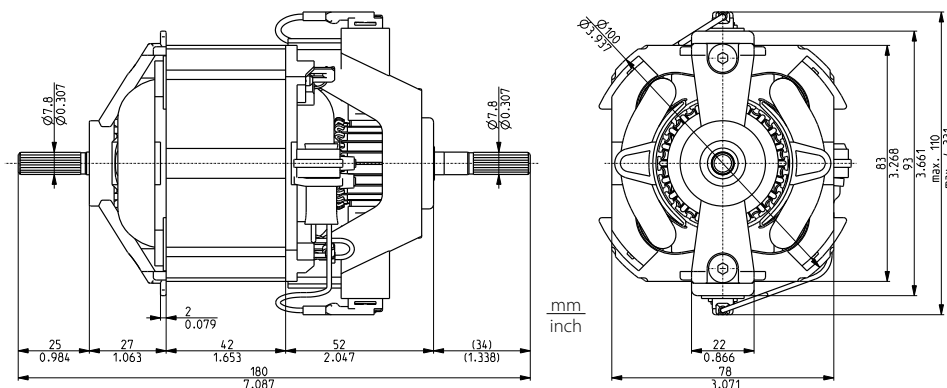
Universal commutator motor performance

DOMEL®

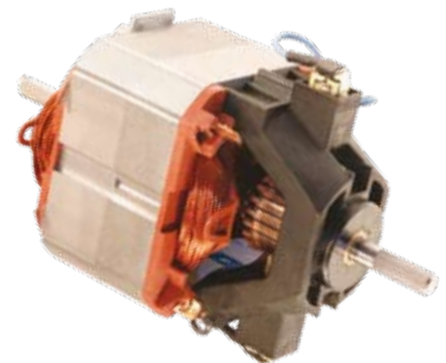
Technical data:

Universal commutator motors 315.3.823-3/ 1450W/ 230V/ 50Hz are intended for installations in hand tools, household appliances and other devices. Motors can be adapted to various propulsion functions. Technical data and dimensions are given in the table. The rotor is supported with one ball and one sleeve bearing. The motors is constructed according to EN 60335-1.

Code:	315.3.823-3
Voltage/frequency:	230 V/50 Hz
Rated input power:	1450 W
Rated speed:	11000 min ⁻¹
Rated output power:	1050 W
Rated torque:	90 Ncm / 128 oz-in
Direction of rotation:	CCW
Type of operation:	S1
	by EN 60034-1
Ventilation:	external
Mass:	1,9 kg



Also available in 100V and 120V version



Dimensional and performance data are subject to change without notice.

Voltage	Current	Input Power	Speed	Torque		Output power	Efficiency
				Ncm	oz-in		
V	A	W	min ⁻¹			W	%
230	0,93	212	36000	0,0	0,0	0	0,0
230	1,84	412	21896	10,0	14,1	228	55,4
230	2,51	554	18438	20,3	28,7	392	70,7
230	3,19	695	16831	30,0	42,5	529	76,2
230	3,88	833	15464	40,0	56,7	648	77,8
230	4,55	966	14368	50,4	71,3	758	78,4
230	5,20	1096	13462	60,1	85,1	847	77,3
230	5,83	1220	12644	70,1	99,3	928	76,1
230	6,47	1348	11958	80,4	113,9	1007	74,7
230	7,07	1462	11303	90,1	127,6	1067	73,0
230	7,65	1574	10684	100,2	141,8	1121	71,2
230	8,25	1693	10154	110,4	156,4	1174	69,4
230	8,81	1805	9733	120,2	170,2	1225	67,9
230	9,32	1900	9135	130,2	184,4	1246	65,6
230	9,88	2009	8674	140,4	198,9	1276	63,5
230	10,41	2110	8132	150,3	212,8	1280	60,7

Data above represent the performance of an average motor sample. Individual data may vary due to normal manufacturing variations.