

# 482.3.717

## DC motor performance

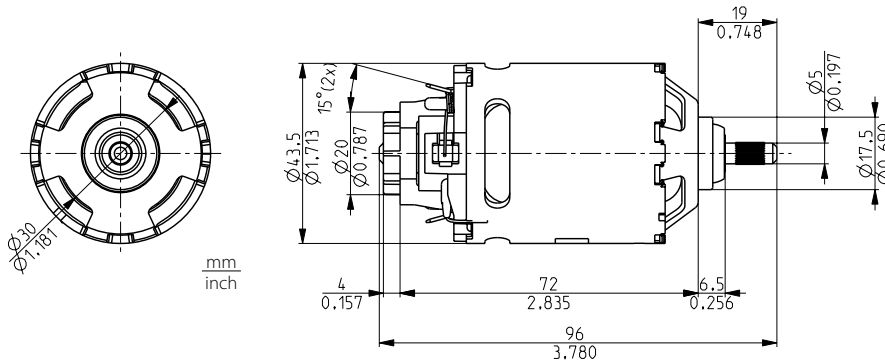
# DOMEL®

DC motors 482.3.717/ 135W/ 230 V/ 0-50 Hz are designed for incorporation into various household appliances such as coffee mills, mixers, food processors, etc. where small dimensions, low weight and high power are requested. Technical data and dimensions are given in the table. Our DC motors can operate in different positions. Shaft can also be adapted to customers needs. The motors is constructed according to EN 60335-1.

### Technical data:

Code:	482.3.717
Voltage/frequency:	230 V/50 Hz + Graetz
Rated input power:	135 W
Rated speed:	8000 min <sup>-1</sup>
Rated output power:	80 W
Rated torque:	10 Ncm / 14,2 oz-in
Direction of rotation:	CW
Type of operation:	60 s »ON« 60 s »OFF«
	5 periods
Ventilation:	without
Mass:	0,33 kg

Also available in 100V and 120V version



Dimensional and performance data are subject to change without notice.

Voltage	Current	Input Power	Speed	Torque		Output power	Efficiency
				Ncm	oz-in		
V	A	W	min <sup>-1</sup>			W	%
230	0,09	15	12400	0,0	0,0	0	0,0
230	0,21	38	11270	2,0	2,8	24	62,1
230	0,33	63	10253	4,0	5,7	43	68,8
230	0,44	87	9401	6,0	8,5	59	67,5
230	0,55	112	8723	8,0	11,3	73	65,6
230	0,65	135	7968	10,1	14,2	84	62,1
230	0,76	159	7317	12,0	17,0	92	57,6
230	0,86	183	6684	14,0	19,8	98	53,5
230	0,96	206	5997	16,0	22,6	100	48,7
230	1,06	229	5343	18,0	25,5	101	44,0
230	1,15	251	4673	20,0	28,3	98	39,0
230	1,83	411	129	35,4	50,1	5	1,2

Data above represent the performance of an average motor sample. Individual data may vary due to normal manufacturing variations.