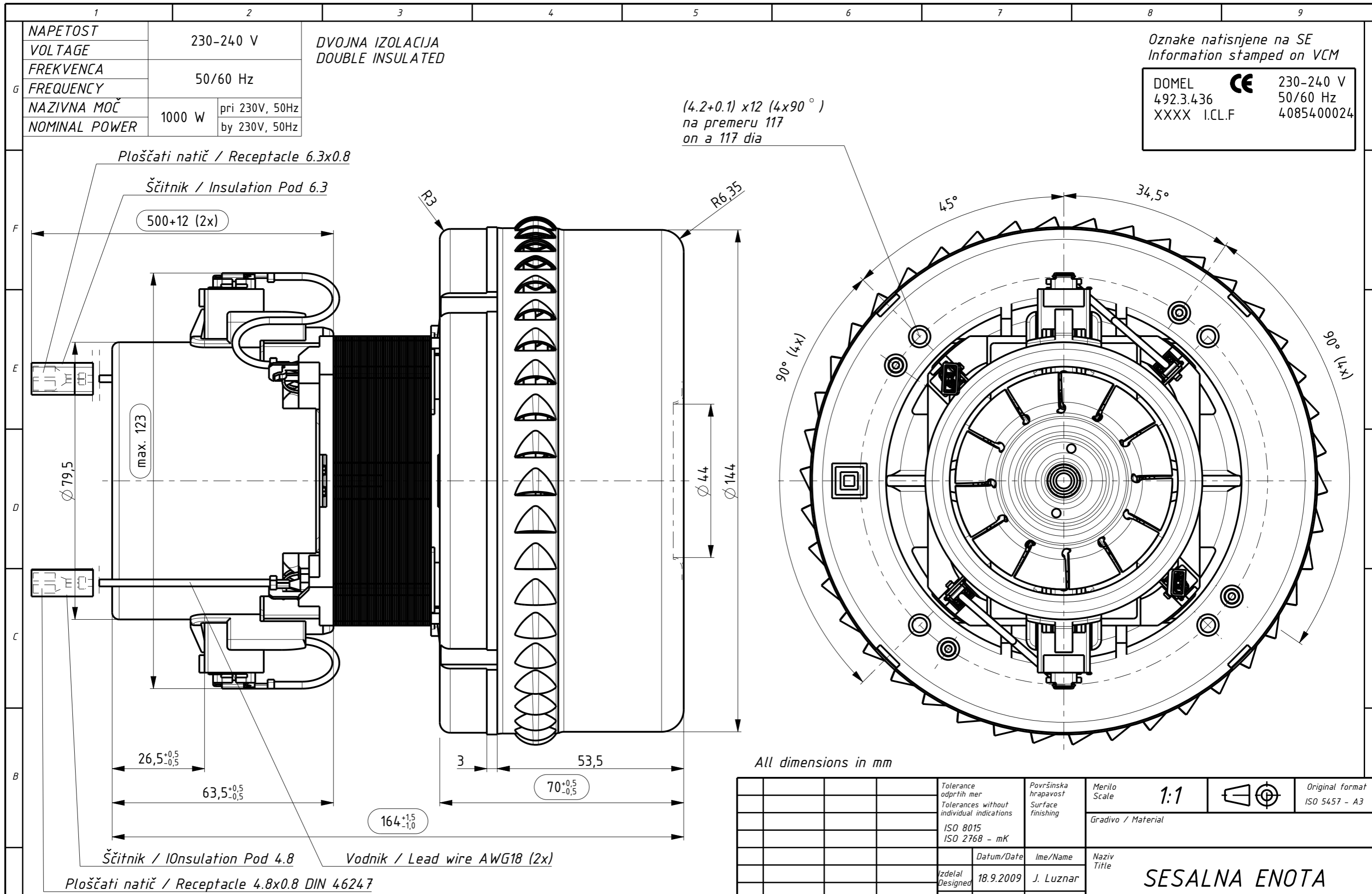


Izdelano s CAD/ProEngineer - ročno spreminjanje ni dovoljeno! Vsak prenos tretjim osebam ali uporaba v nedogovorjene namene ni dovoljena po zakonu o avtorskih pravicah. Made with CAD/ProEngineer - changing is not allowed! Any unauthorized copying of this drawing or unauthorized distribution of the information contained herein is prohibited.



Oznake natisnjene na SE
Information stamped on VCM

DOMEL	CE	230-240 V
492.3.436		50/60 Hz
XXXX I.C.L.F.		4085400024

All dimensions in mm

Tolerance odprtih mer Tolerances without individual indications ISO 8015 ISO 2768 - mK		Površinska hrapavost Surface finishing	Merilo Scale 1:1	Original format ISO 5457 - A3
Datum/Date Ime/Name			Gradivo / Material	
Izdelal Designed 18.9.2009 J. Luznar		Naziv Title SESALNA ENOTA VACUUM CLEANER MOTOR		
Pregl. Verified 21.1.2010 J. Rihtaršič		Koda Code 492.3.436		
B1	9271	21.01.10	B. Benedik	List Sheet 3+
A1	9210	02.10.09	J. Luznar	Stran Page 1
Ozn. Mark	Št. obvestila Nr. of notice	Datum Date	Ime Name	
DOMEL® Otoki 21, 4228 Železniki, Slovenija			4923436000_SESALNA_ENOTA	

OSNOVNE ZNAČILNOSTI		TYPICAL CHARACTERISTICS	
IZVEDBA	DVOSTOPENJSKA	FAN SYSTEM	TWO STAGE
VLEŽAJENJE	DVA KROGLIČNA LEŽAJA	BEARINGS	DUAL BALL
VRSTA PRETOKA	MIMO MOTORJA	DISCHARGE	BY PASS
SMER VRTENJA	LEVA	DIRECTION OF ROTATION	CCW